



PTC - HEATER

- self-regulating
- dynamically heating
- high voltage zone
- elaborated system with cooling fins

Type: P-25

Power range: 10W – 50W**

Voltage range: 110V – 265V



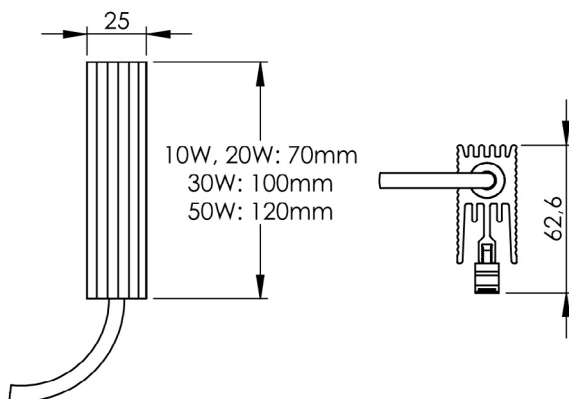
Technical data

	DESCRIPTION	ORDER INDEX
Kind of protection	IP30 / IP20 with DK	IP30 or IP20
Protection class	PC II	-
Operation- / storage temperature	-40 – +70 °C	-
Surface temperature (at 20°C surrounding temperature)	10W/20W: 80-105°C; 30W: 90-110°C; 50W: 100-120°C	-
Wiring cable	0,40m 2x0,75mm ² silicone *	exact specification
Heating element	PTC-cartridge	-
Mounting	snap-mounting for 35mm DIN-rail	SPS
	screw-mounting	SRW
Connection	wiring cable 2x0,75mm ² silicone	AL
	plug-in terminal	DK
Mounting position	vertical	-

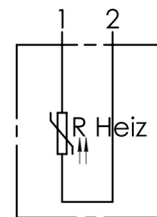
* variable length is possible

** at 0° C ice water

Dimension



Wiring diagram



U	bn (1)	bl (2)
110-265V DC	+	-
110-265V AC	L1	N (L2)

Standard versions

ORDER-NO.	VOLTAGE	POWER	OPERA.CURRENT	INRUSH CURRENT	WEIGHT	DIMENSIONS	CONNECTION	MOUNTING
P2651025AL2	110-265V AC/DC	10W	0,10A	1,20A	250g	70x25x62,6mm	cable 0,40m	snap
P2652025AL2	110-265V AC/DC	20W	0,10A	1,20A	250g	70x25x62,6mm	cable 0,40m	snap
P2653025AL2	110-265V AC/DC	30W	0,15A	1,30A	300g	100x25x62,6mm	cable 0,40m	snap
P2655025AL2	110-265V AC/DC	50W	0,25A	1,50A	350g	120x25x62,6mm	cable 0,40m	snap

The information described on this data sheet contains descriptions or characteristics, which could not apply in the described way in the concrete case. The information of the products can also change in the course of development. The desired characteristics are only binding in the case that they have been explicitly agreed with a contract conclusion. Delivery possibilities and technical changes reserved.

The mentioned technical data have been determined under labor conditions by universal test instructions. Only insofar characteristics are ensured. The test for the suitability for the intended use scheduled by the purchaser is incumbent on the purchaser; we do not take warranty for that. Errors reserved. Status: 04/2017